

NMR ACCESSORIES



NMR-BLK

Completely Delrin and Nylon made, the BLK block system allows the fixing of several antenna types. Thanks to its features, including the possibility to flip the lock bracket, both the vertical and the horizontal polarizations are allowed. Also, the ¼ " threading makes it compatible with the most of the tripod models.



NMR-ARJ

Delrin-made positioner, compatible with all the ¼ " insert tripods. It allows the MPB fast connection, facilitating and fastening the grafting of the meter on the tripod, both in vertical and horizontal configurations, allowing both horizontal and vertical polarizations.



NMR-UNI

This instrument with the ¼ " insert is the adapter between the classic photographic threading and the MPB NMR-01 threading. Thanks to this support, combined with the NMR-ARJ, it is possible to use the fast connection, fastening the positioning and the support of the measuring instrument.



NMR-UNIA

Allows more complex configurations with ARJ, BLK and UNI outreach. Also, thanks to the knob, it is possible to block the outreach rod, in order to avoid unwanted rotations.



NMR-UNIB

Allows the connection to an outreach in order to support a meter, and OR and an antenna. Thanks to this particular, it is possible to set up a monitoring station with multiple data acquisition points.

CONFIGURATIONS

- FAST CONNECTION (ARJ + UNI)

These two accessories combined allow a fast and effortless positioning of every device with a $\frac{1}{4}$ " threading. Thanks to the double hole of the ARJ, it is possible to set the instrument positioning in both vertical and horizontal polarization.



Fast connection: configuration for vertical and horizontal position



Vertical configurations for meters and antennas



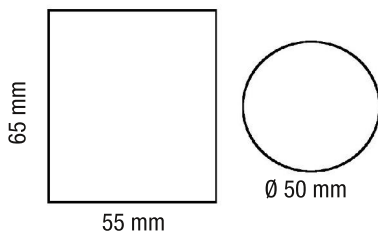
Horizontal configurations for meters and antennas

-FAST CONNECTION AND POLARIZATION (ARJ + BLK+ UNI)

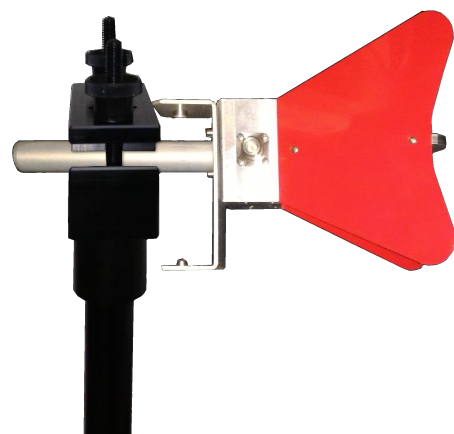
These three accessories allow, after having blocked the antenna or the meter with the BLK, to easily position it through the MPB fast connection technology and to rapidly switch the polarization (horizontal, vertical, cross and circular)



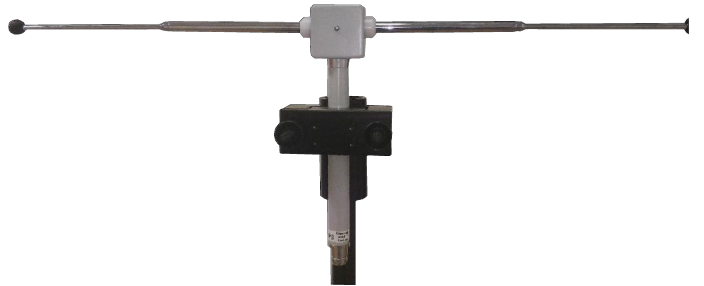
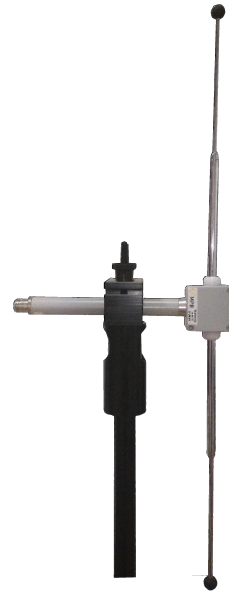
Fast connection for antennas configuration, for horizontal, vertical, cross and circular polarization



Maximum size of objects that can be locked inside the BLK

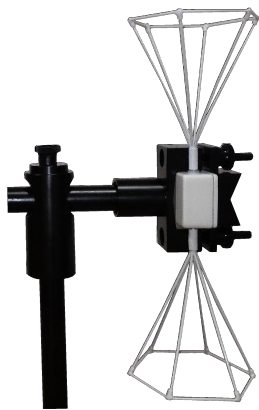


ETS horn antenna: horizontal polarization



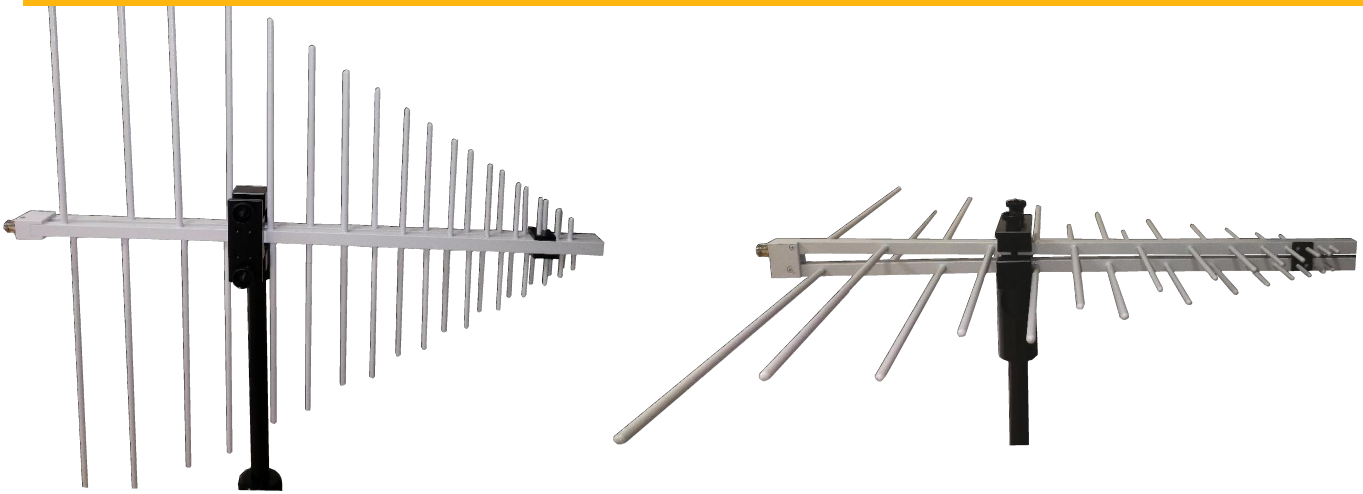
Narda SRM antenna: vertical and horizontal polarization

MPB dipole antenna: vertical and horizontal polarization



MPB biconical antenna: vertical and horizontal polarization

MPB loop antenna horizontal and vertical polarization



NARDA log periodic antenna: vertical and horizontal polarization



Insert STUB



Turn meter



NARDA meter: cross or circular polarization

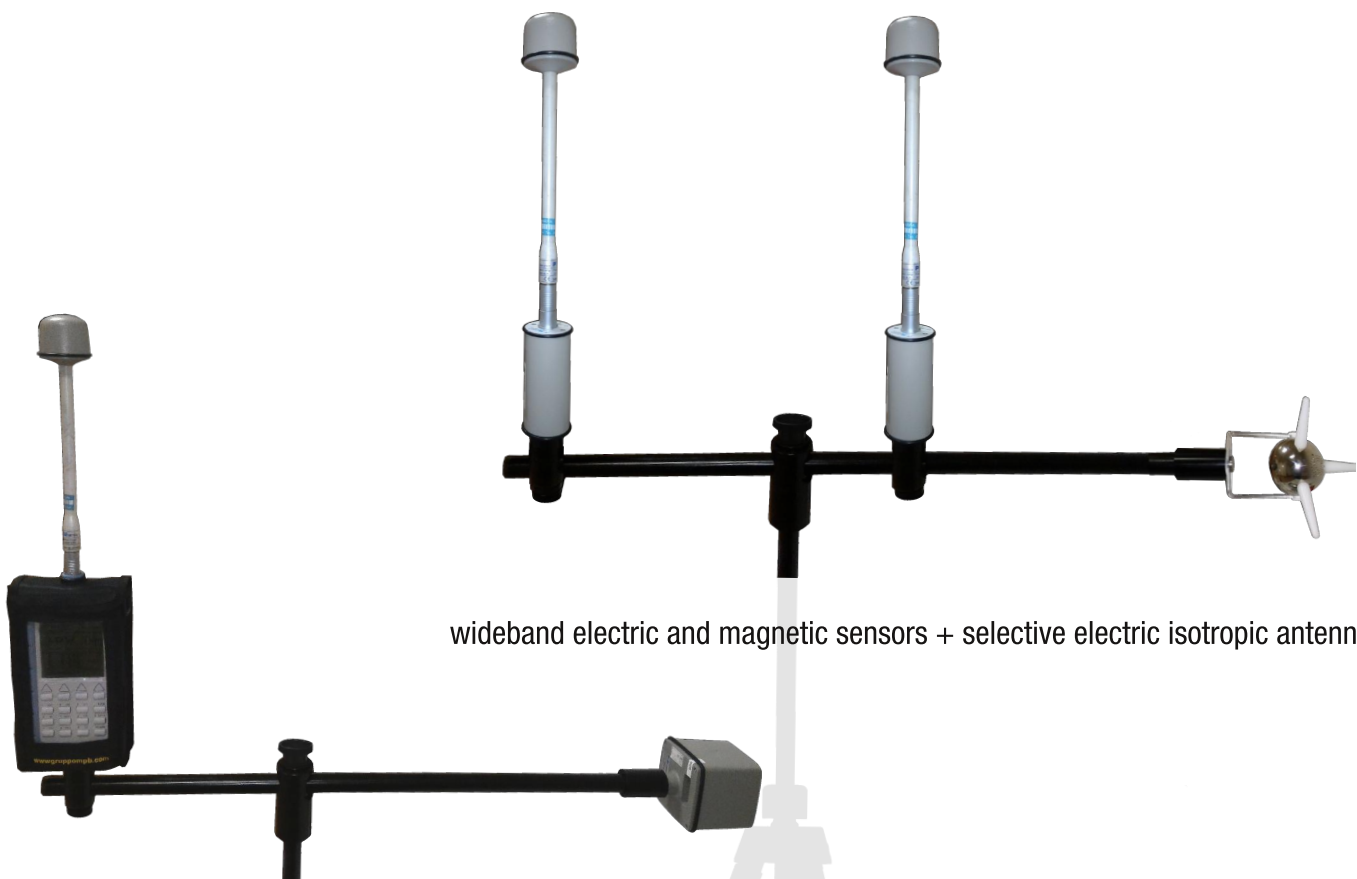
-FAST CONNECTION AND EXT CONFIGURATION (ARJ + EXT+ UNI + UNI-A + UNI-B)

Through the EXT configuration it is possible to install more acquisition points on the same tripod and maintaining the distance from the legs of the tripod, in order to prevent moisture affecting the electric field measurements (directive IEC 61786)



EXT configuration for multiple measurement points

Only one tripod to realize a monitoring station.

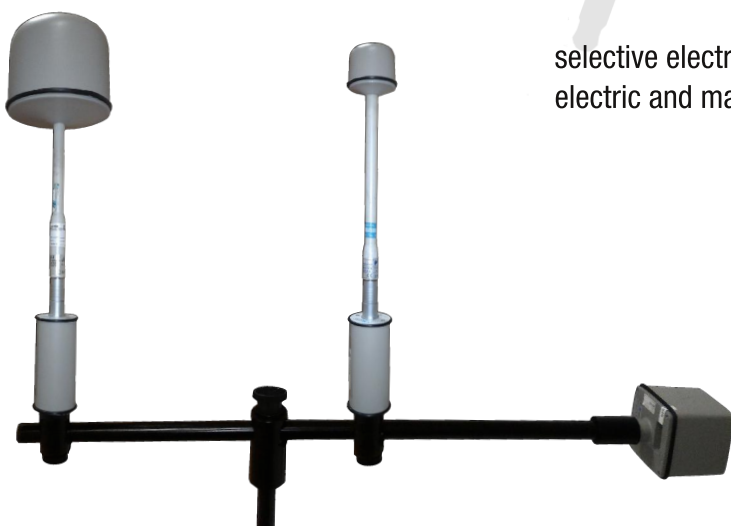


wideband electric and magnetic sensors + selective electric isotropic antenna

wideband RF electric sensor + electric and magnetic selective low frequency antenna



selective electric isotropic antenna + wideband electric sensor + electric and magnetic selective low frequency antenna



wideband magnetic sensor + wideband electric sensor + electric and magnetic selective low frequency antenna

INSTRUMENTS/ANTENNAS	EXT	UNI	UNI-A	UNI-B	ARJ	BLK	NMR-01
MPB D1					X	X	X
MPB D2					X	X	X
MPB L1					X	X	X
MPB L2					X	X	X
MPB R1					X	X	X
MPB B1	X	X	X	X	X	X	X
MPB SEP		X			X		X
MPB SEMS		X			X		X
MPB MSA-210	X	X	X	X	X		X
NARDA LOG ANTENNAS					X	X	X
NARDA OR + ALL SENSORS		X			X		X
NARDA EHP FAMILY		X			X		X
NARDA METERS		X			X		X
NARDA SRM ANTENNAS					X	X	X
MULTIPLE MISUREMENT POINTS	X	X	X	X	X		X
TESEQ, ELECTROMETRIC, AH SYSTEM, EMCO ETS, CLAMCO, ROHDE and SCHWARZ, MICRORAD, AARONIA, TDK	Please contact us to find the most suitable configuration for your meter, sensor or antenna						



MPB srl
Headquarters - Place of Business
Laboratory
Via Giacomo Peroni, 400/402 00131 - Roma

T +39 06 41200744
F +39 06 41200653

www.gruppompb.uk.com
www.gruppompb.com
info@gruppompb.com